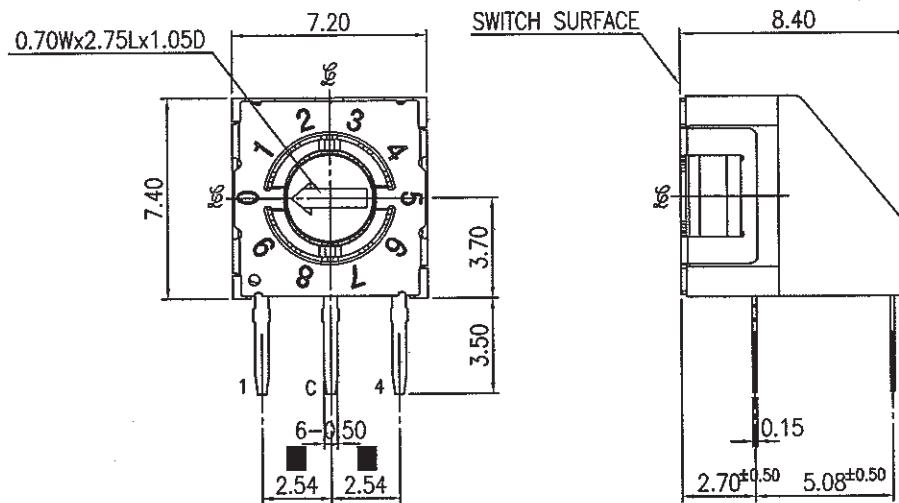


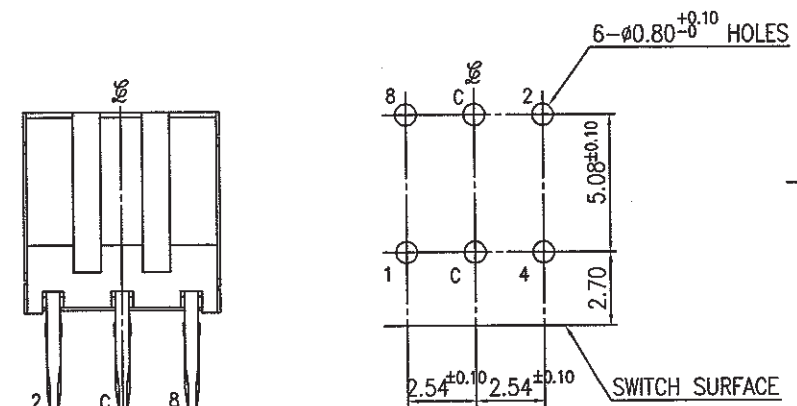
- SPECIFICATIONS:
1. MAXIMUM RATING: 50VDC, 100mA.
 2. MINIMUM RATING: 20VDC, 1μA.
 3. CONTACT RESISTANCE: 100mΩ MAX.
 4. INSULATION RESISTANCE: 100VDC-1000MΩ MIN.
 5. WITHSTAND VOLTAGE: 250VAC-1 MINUTE
 6. ROTARY TORQUE: 40~200gf.cm
 7. TOTAL ROTARY ANGLE: 360° (10 STEPS)
 8. LIFE CYCLE: 10,000 STEPS

CIRCUIT CHART

POSITIONS	CODE			
	0	1	2	4
0	●			
1	●	●		
2	●		●	
3	●	●	●	
4	●			●
5	●	●	●	●
6	●		●	
7	●	●	●	
8	●			●
9	●	●	●	●



P.C.B. LAYOUT



NO.	PART NAME	MATERIAL	Q'TY	FINISHING
1	FRAME	PA+G	1	
2	COVER	SUS	1	
3	ROTOR	LCP+G	1	
4	TERMINAL	PBS	6	Au/Sn PLATED
5	CONTACT PLATE	BeCu	1	Au PLATED
6	O-RING	SILICONE RUBBER	1	
7	SPACER	SUS	1	
8	BLOCK	PA+G	1	

HORUSTECH ELECTRONICS CO., LTD.

TOLERANCES UNLESS OTHERWISE SPECIFIED
 LINEAR: ±0.30 ANGULAR: ±3°

REVISIONS	SIGNATURES	DATE	TITLE
A			ROTARY SWITCH
			NO.

SCALE 5/1

RSC-1ARR

△			
△			
△			
△			
△			
SYM	DISCRIPTION	DATE	APPROVED