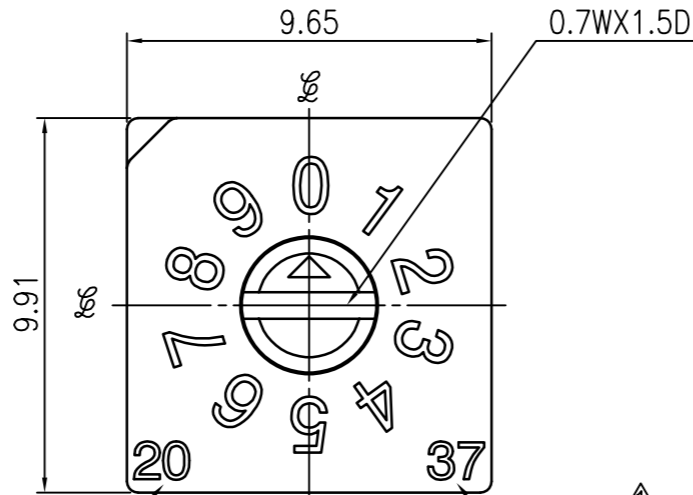


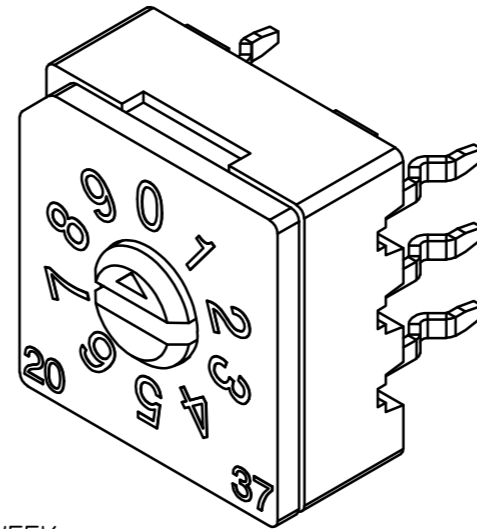
16 POSITIONS
RSF-AF_K

DATE CODE: YEAR
20.21.22.....



10 POSITIONS
RSF-AA_K

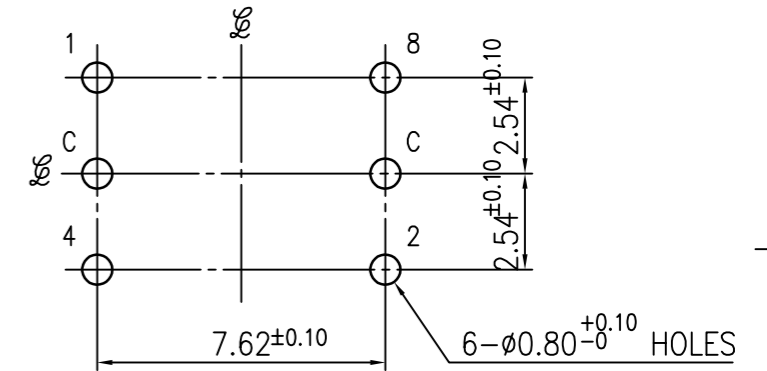
DATE CODE: WEEK
01.....52



SPECIFICATIONS:

1. MAXIMUM RATING: 24VDC. 25mA.
2. MINIMUM RATING: 3.5VDC. 10μA.
3. CONTACT RESISTANCE: 200mΩ MAX.
4. INSULATION RESISTANCE: 250VDC-100MΩ MIN.
5. WITHSTAND VOLTAGE: 250VAC-1 MINUTE
6. ROTARY TORQUE: 350gf.cm MAX.
7. TOTAL ROTARY ANGLE: 360° (10 or 16 STEPS)
8. LIFE CYCLE: 20,000 STEPS

P.C.B. LAYOUT

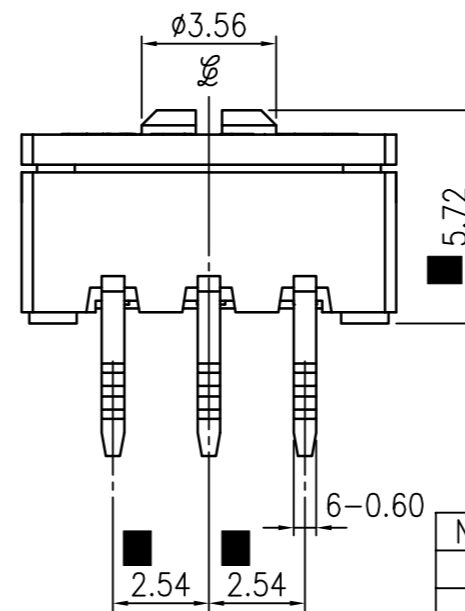
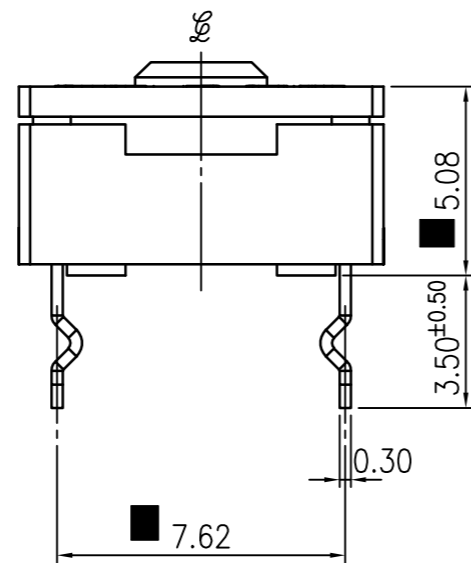


CIRCUIT CHART

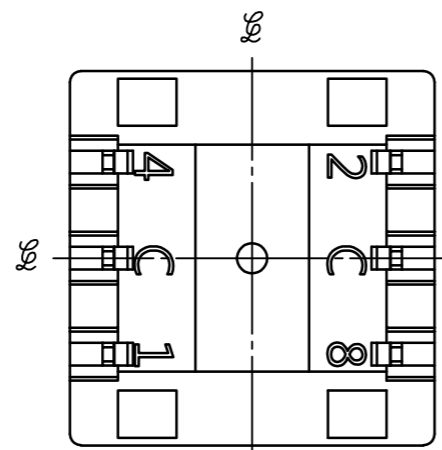
REAL CODE
RSF-A_RK

GRAY CODE
RSF-A_GK

	CODE				
	C	1	2	4	8
0	●				
1	●	●			
2	●		●		
3	●	●	●		
4	●			●	
5	●	●	●	●	
6	●	●	●	●	●
7	●	●	●	●	●
8	●				●
9	●	●			●
A	●	●	●	●	●
B	●	●	●	●	●
C	●			●	●
D	●	●		●	●
E	●	●	●	●	●
F	●	●	●	●	●



NO.	PART NAME	MATERIAL	Q'TY	FINISHING
1	FRAME	PA+G	1	
2	COVER	PA+G	1	
3	SPRING PLATE	SUS	1	
4	ROTOR	LCP+G	1	
5	TERMINAL	BRASS	6	Au/Sn PLATED
6	CONTACT PLATE	COPPER ALLOY	1	Au PLATED
7	O-RING	SILICONE RUBBER	1	
8	SPACER	SUS	1	



△			
△			
△			
△			
▲	增加DATE CODE	2020.12.03	Austin
SYM	DISCRIPTION	DATE	APPROVED



HORUSTECH ELECTRONICS CO., LTD.

TOLERANCES UNLESS OTHERWISE SPECIFIED LINEAR: ±0.30 ANGULAR: ±3°		SIGNATURES	DATE	TITLE
REVISIONS	SCALE			ROTARY SWITCH
A1	5/1			
		NO.	RSF-A__K	