

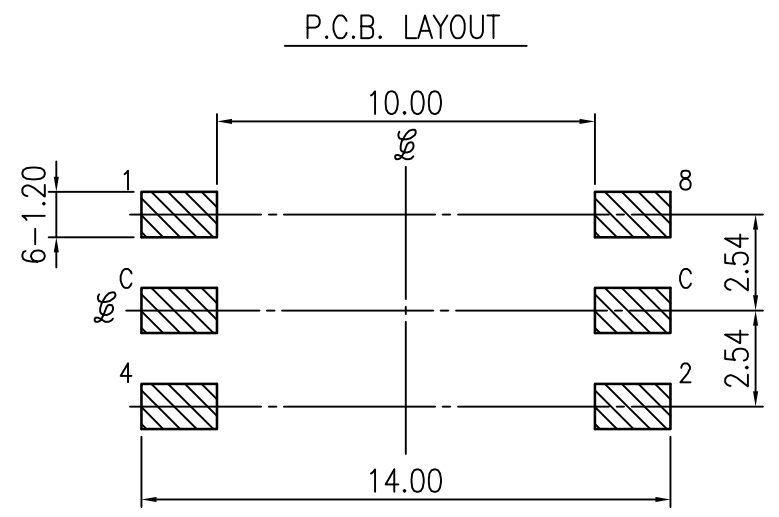
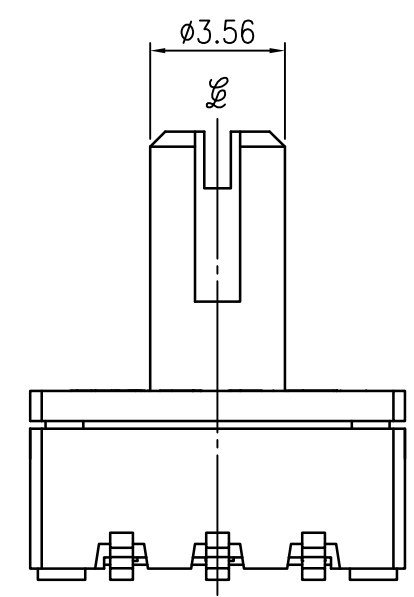
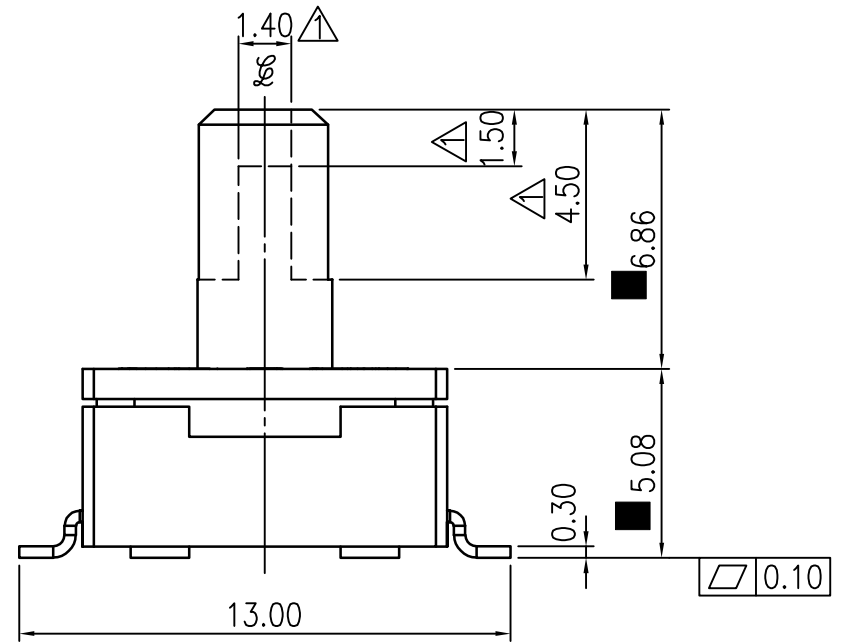
- SPECIFICATIONS:**
1. MAXIMUM RATING: 24VDC. 25mA.
  2. MINIMUM RATING: 3.5VDC. 10μA.
  3. CONTACT RESISTANCE: 200mΩ MAX.
  4. INSULATION RESISTANCE: 250VDC-100MΩ MIN.
  5. WITHSTAND VOLTAGE: 250VAC-1 MINUTE
  6. ROTARY TORQUE: 350gf.cm MAX.
  7. TOTAL ROTARY ANGLE: 360° (10 or 16 STEPS)
  8. LIFE CYCLE: 20,000 STEPS

**CIRCUIT CHART**

REAL CODE  
RSF-B\_RM

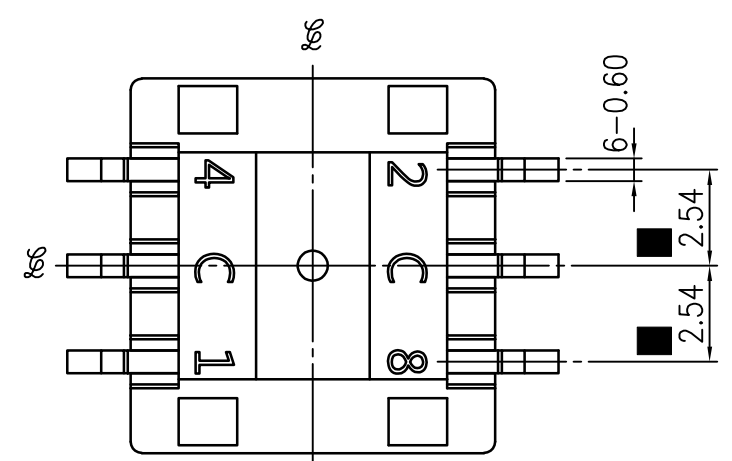
GRAY CODE  
RSF-B\_GM

		CODE				
		C	1	2	4	8
10 POSITIONS	0	●				
	1	●	●			
	2	●		●		
	3	●	●	●		
	4	●			●	
	5	●	●		●	
	6	●		●	●	
	7	●	●	●		
	8	●				●
	9	●	●		●	●
16 POSITIONS	A	●	●	●	●	
	B	●	●	●	●	
	C	●			●	●
	D	●	●		●	●
	E	●		●	●	●
	F	●	●	●	●	●



HATCHED AREA SHOW SOLDERING LAND

NO.	PART NAME	MATERIAL	Q'TY	FINISHING
1	FRAME	PA+G	1	
2	COVER	PA+G	1	
3	SPRING PLATE	SUS	1	
4	ROTOR	LCP+G	1	
5	TERMINAL	BRASS	6	Au/Sn PLATED
6	CONTACT PLATE	COPPER ALLOY	1	Au PLATED
7	O-RING	SILICONE RUBBER	1	
8	SPACER	SUS	1	



SYM	DISCRPTION	DATE	APPROVED
△			
△			
△			
△	增加DATE CODE	2020.12.03	Austin
△	增加尺寸標註	2019.07.12	Andy

## HORUSTECH ELECTRONICS CO., LTD.

TOLERANCES UNLESS OTHERWISE SPECIFIED LINEAR: ±0.30 ANGULAR: ±3°	SIGNATURES	DATE	TITLE
	DRAWN		ROTARY SWITCH
	CHK'D		NO.
REVISIONS B1	SCALE 5/1		RSF-B__M