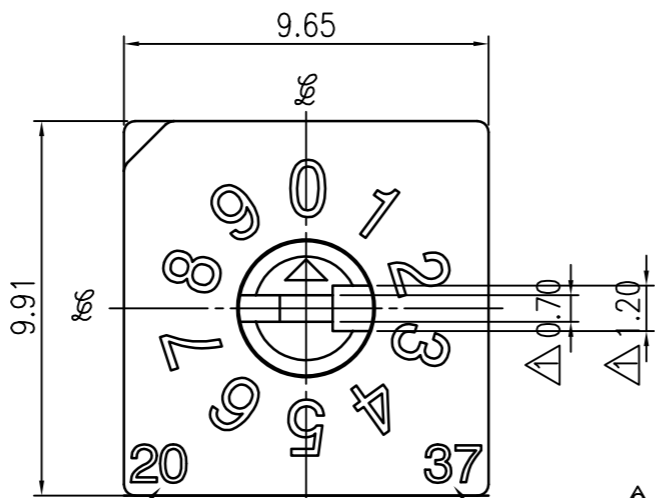
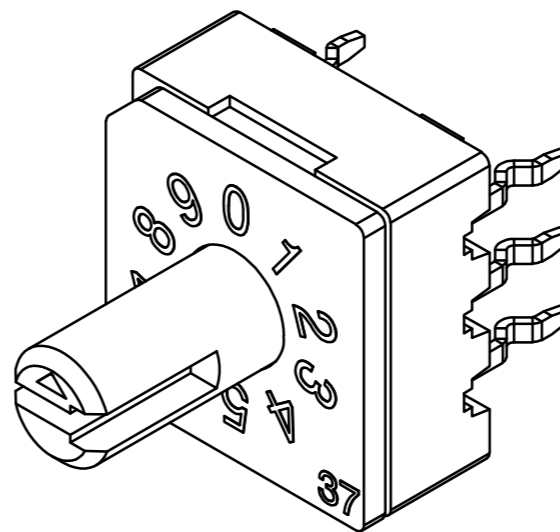


16 POSITIONS
RSF-BF_K
DATE CODE: YEAR
20.21.22.....

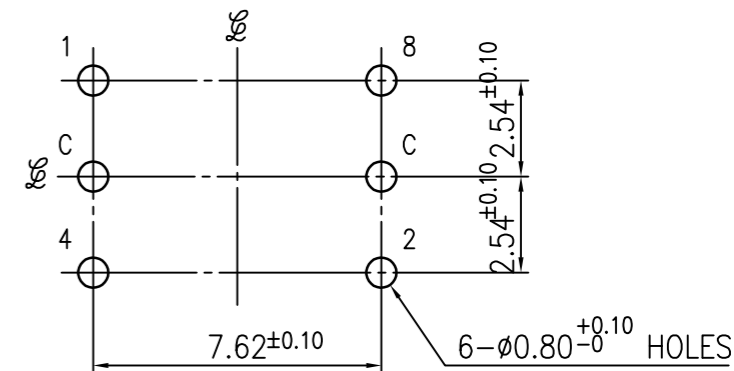


10 POSITIONS
RSF-BA_K
DATE CODE: WEEK
01.....52



- SPECIFICATIONS:
1. MAXIMUM RATING: 24VDC. 25mA.
 2. MINIMUM RATING: 3.5VDC. 10μA.
 3. CONTACT RESISTANCE: 200mΩ MAX.
 4. INSULATION RESISTANCE: 250VDC-100MΩ MIN.
 5. WITHSTAND VOLTAGE: 250VAC-1 MINUTE
 6. ROTARY TORQUE: 350gf.cm MAX.
 7. TOTAL ROTARY ANGLE: 360° (10 or 16 STEPS)
 8. LIFE CYCLE: 20,000 STEPS

P.C.B. LAYOUT

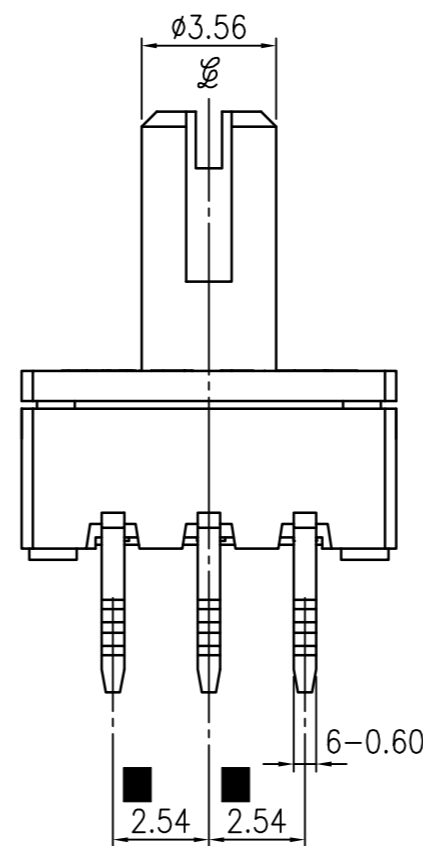
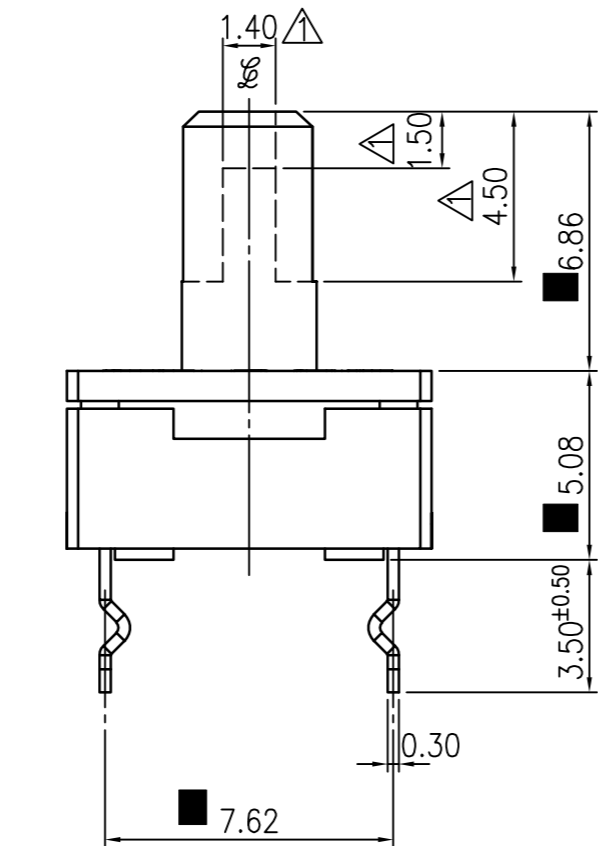


CIRCUIT CHART

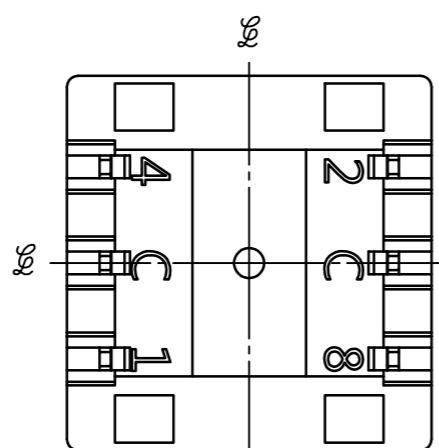
REAL CODE
RSF-B_RK

GRAY CODE
RSF-B_GK

	10 POSITIONS					16 POSITIONS				
	0	1	2	4	8	0	1	2	4	8
0	●					●				
1	●	●				●	●			
2	●		●			●		●		
3	●		●	●		●		●	●	
4	●			●		●			●	
5	●	●			●	●	●			●
6	●		●		●	●		●		●
7	●	●	●			●	●	●		
8	●				●	●				●
9	●	●			●	●	●			●
A	●		●		●	●		●		●
B	●	●			●	●	●			●
C	●			●		●			●	
D	●	●			●	●	●			●
E	●		●		●	●		●		●
F	●	●	●		●	●	●	●		●



NO.	PART NAME	MATERIAL	Q'TY	FINISHING
1	FRAME	PA+G	1	
2	COVER	PA+G	1	
3	SPRING PLATE	SUS	1	
4	ROTOR	LCP+G	1	
5	TERMINAL	BRASS	6	Au/Sn PLATED
6	CONTACT PLATE	COPPER ALLOY	1	Au PLATED
7	O-RING	SILICONE RUBBER	1	
8	SPACER	SUS	1	



SYM	DISCRIPTION	DATE	APPROVED
△			
△			
△			
△	增加DATE CODE	2020.12.03	Austin
△	增加尺寸標註	2019.07.12	Andy

HORUSTECH ELECTRONICS CO., LTD.

TOLERANCES UNLESS OTHERWISE SPECIFIED
LINEAR: ±0.30 ANGULAR: ±3°

REVISIONS	SIGNATURES	DATE	TITLE
B1			ROTARY SWITCH
			NO. RSF-B__K

SCALE 5/1