

- SPECIFICATIONS:
1. MAXIMUM RATING: 24VDC. 25mA.
  2. MINIMUM RATING: 3.5VDC. 10μA.
  3. CONTACT RESISTANCE: 200mΩ MAX.
  4. INSULATION RESISTANCE: 250VDC-100MΩ MIN.
  5. WITHSTAND VOLTAGE: 250VAC-1 MINUTE
  6. ROTARY TORQUE: 350gf.cm MAX.
  7. TOTAL ROTARY ANGLE: 360° (10 or 16 STEPS)
  8. LIFE CYCLE: 20,000 STEPS

16 POSITIONS  
RSG-AF\_M

10 POSITIONS  
RSG-AA\_M

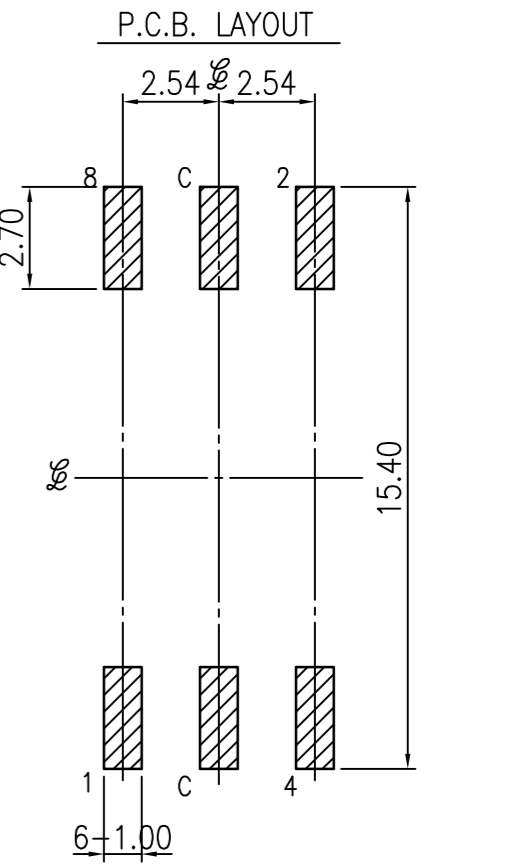
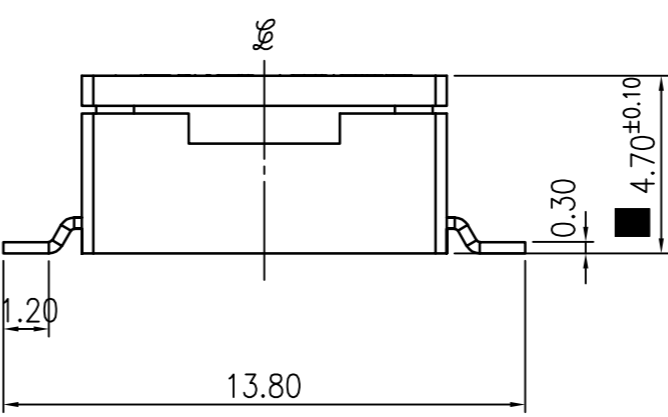
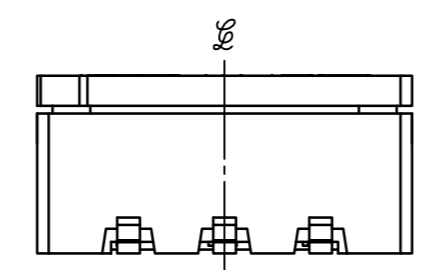
■ CIRCUIT CHART

REAL CODE  
RSG-A\_RM

GRAY CODE  
RSG-A\_GM

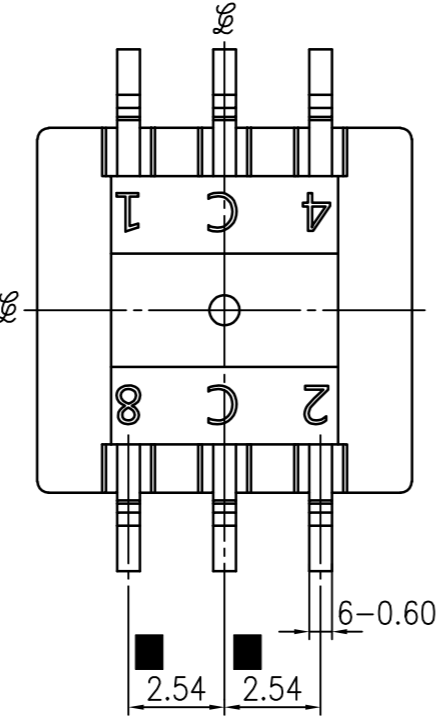
16 POSITIONS	CODE				
	C	1	2	4	8
0	●				
1	●	●			
2	●		●		
3	●			●	
4	●				●
5	●	●			●
6	●		●		●
7	●	●	●		
8	●				●
9	●	●			●
A	●		●		●
B	●	●		●	●
C	●			●	●
D	●	●		●	●
E	●		●	●	●
F	●	●	●	●	●

10 POSITIONS	CODE				
	C	1	2	4	8
0	●				
1	●	●			
2	●		●		
3	●			●	
4	●				●
5	●	●			●
6	●		●		●
7	●	●	●		
8	●				●
9	●	●			●
A	●		●		●
B	●	●		●	●
C	●			●	●
D	●	●		●	●
E	●		●	●	●
F	●	●	●	●	●




HATCHED AREA SHOW SOLDERING LAND

NO.	PART NAME	MATERIAL	Q'TY	FINISHING
1	FRAME	PA+G	1	
2	COVER	PA+G	1	
3	SPRING PLATE	SUS	1	
4	ROTOR	LCP+G	1	
5	TERMINAL	BRASS	6	Au/Sn PLATED
6	CONTACT PLATE	COPPER ALLOY	1	Au PLATED
7	O-RING	SILICONE RUBBER	1	
8	SPACER	SUS	1	



△			
△			
△			
△			
▲	增加DATE CODE	2022.01.18	Austin
SYM	DISCRIPTION	DATE	APPROVED



## HORUSTECH ELECTRONICS CO., LTD.

TOLERANCES UNLESS OTHERWISE SPECIFIED LINEAR: ±0.30 ANGULAR: ±3°	SIGNATURES	DATE	TITLE
	DRAWN		ROTARY SWITCH
	CHK'D		NO.
REVISIONS A1	SCALE 5/1		RSG-A__M