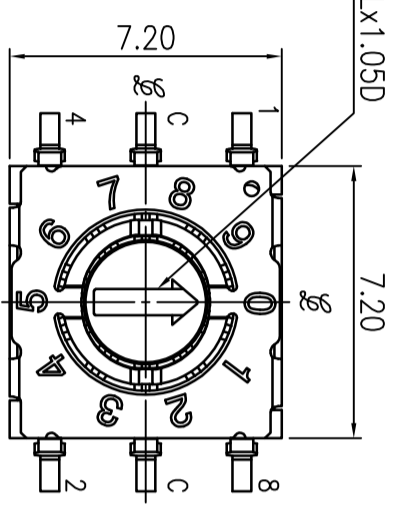
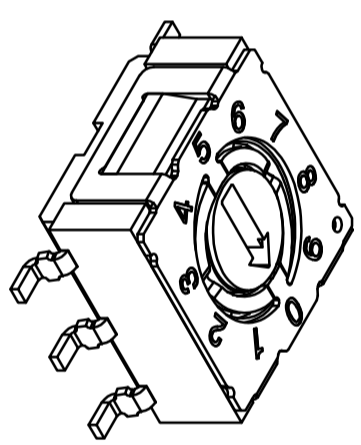


16 POSITIONS
RSH-1FRM



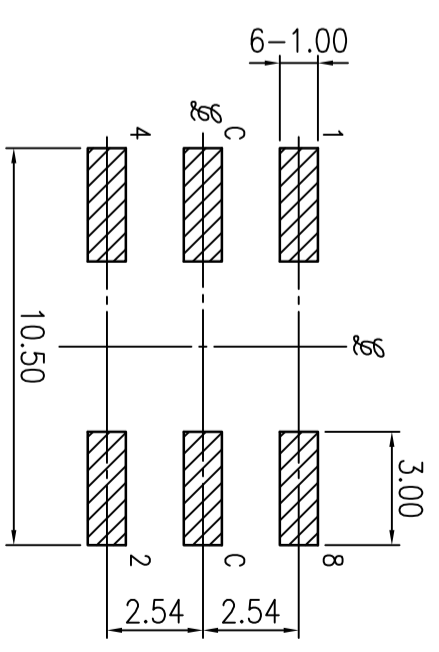
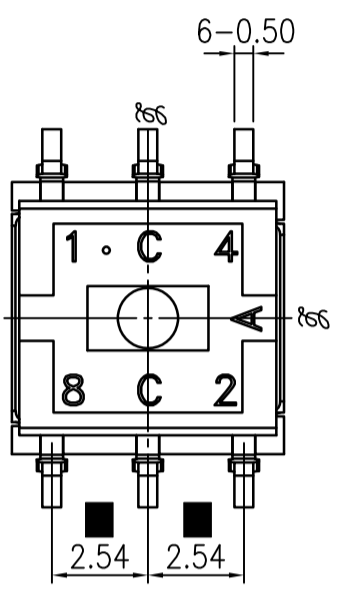
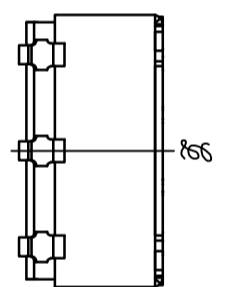
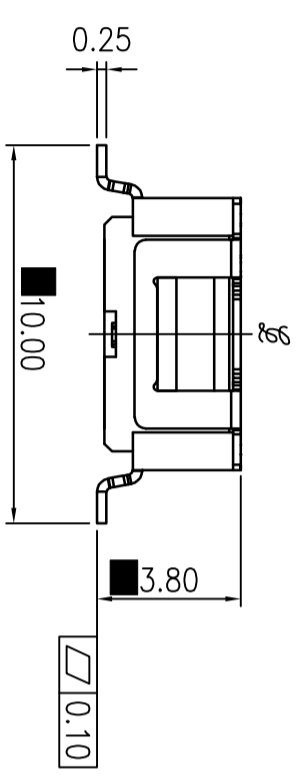
10 POSITIONS
RSH-1ARM



- SPECIFICATIONS:**
1. MAXIMUM RATING: 50VDC, 100mA.
 2. MINIMUM RATING: 20mVDC, 1μA.
 3. CONTACT RESISTANCE: 100mΩ MAX.
 4. INSULATION RESISTANCE: 100VDC-1000MΩ MIN.
 5. WITHSTAND VOLTAGE: 250VAC-1 MINUTE
 6. ROTARY TORQUE: 40~200gf.cm
 7. TOTAL ROTARY ANGLE: 360° (10 or 16 STEPS)
 8. LIFE CYCLE: 10,000 STEPS

■ **CIRCUIT CHART**

		CODE				
		C	1	2	4	8
0	●					
1	●					
2	●					
3	●					
4	●					
5	●					
6	●					
7	●					
8	●					
9	●					
A	●					
B	●					
C	●					
D	●					
E	●					
F	●					



P.C.B. LAYOUT

HATCHED AREA SHOW SOLDERING LAND

NO.	PART NAME	MATERIAL	Q'TY	FINISHING
1	FRAME	PA+G	1	
2	COVER	SUS	1	
3	ROTOR	LCP+G	1	
4	TERMINAL	BRASS	6	Au/Sn PLATED
5	CONTACT PLATE	BeCu	1	Au PLATED
6	O-RING	SILICONE RUBBER	1	
7	SPACER	SUS	1	



HORUSTECH ELECTRONICS CO., LTD.

TOLERANCES UNLESS OTHERWISE SPECIFIED		SIGNATURES		DATE		TITLE	
LINEAR: ±0.30 ANGULAR: ±3°		DRAWN				ROTARY SWITCH	
REVISIONS		CHK'D				NO.	
A	5/1	APPV'D				RSH-1_RM	

SYM	DISCRPTION	DATE	APPROVED
△			
△			
△			
△			