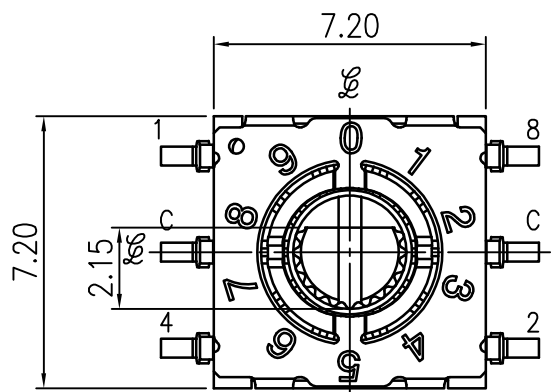
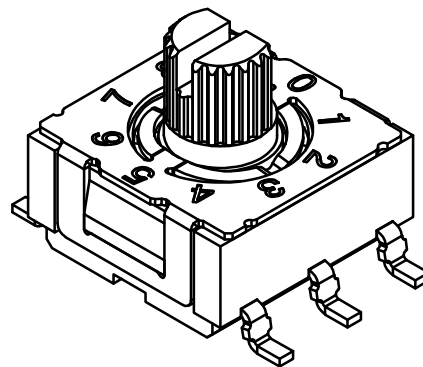


16 POSITIONS
RSH-2FRM



10 POSITIONS
RSH-2ARM

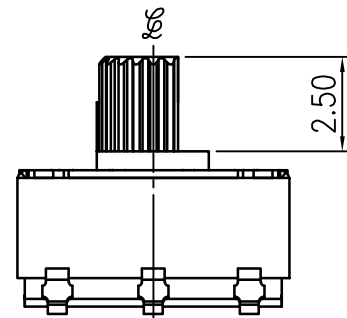
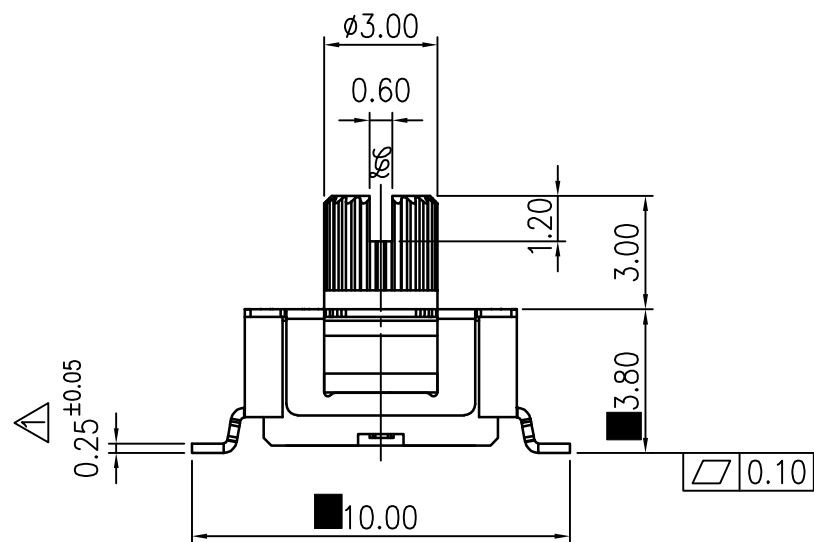


SPECIFICATIONS:

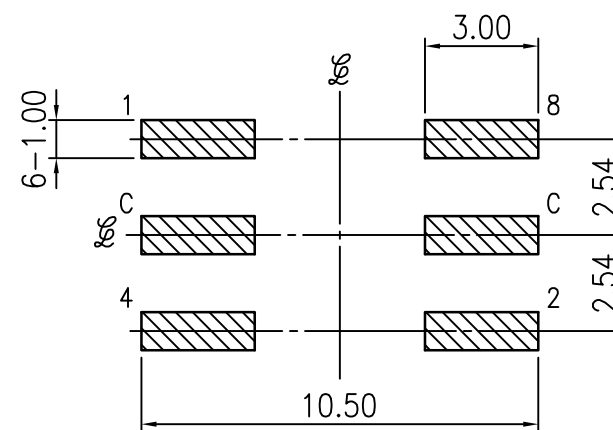
1. MAXIMUM RATING: 50VDC, 100mA.
2. MINIMUM RATING: 20mVDC, 1μA.
3. CONTACT RESISTANCE: 100mΩ MAX.
4. INSULATION RESISTANCE: 100VDC-1000MΩ MIN.
5. WITHSTAND VOLTAGE: 250VAC-1 MINUTE
6. ROTARY TORQUE: 40~200gf.cm
7. TOTAL ROTARY ANGLE: 360° (10 or 16 STEPS)
8. LIFE CYCLE: 10,000 STEPS

■ CIRCUIT CHART

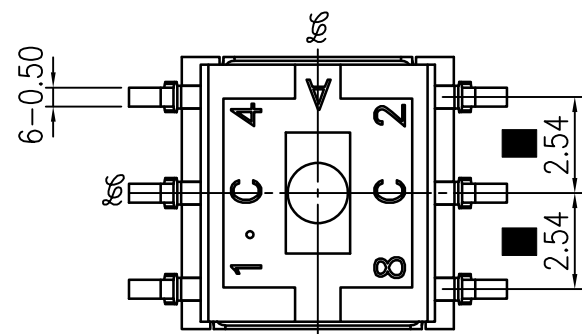
| | | CODE | | | | |
|--------------|---|------|---|---|---|---|
| | | C | 1 | 2 | 4 | 8 |
| 10 POSITIONS | 0 | ● | | | | |
| | 1 | ● | ● | | | |
| | 2 | ● | | ● | | |
| | 3 | ● | ● | ● | | |
| | 4 | ● | | | ● | |
| | 5 | ● | ● | | | ● |
| | 6 | ● | | ● | ● | |
| | 7 | ● | ● | ● | | |
| | 8 | ● | | | | ● |
| | 9 | ● | ● | | | ● |
| 16 POSITIONS | A | ● | | ● | | ● |
| | B | ● | ● | ● | | ● |
| | C | ● | | | ● | |
| | D | ● | ● | | ● | ● |
| | E | ● | | ● | ● | |
| | F | ● | ● | ● | ● | |



P.C.B. LAYOUT



HATCHED AREA SHOW SOLDERING LAND



| NO. | PART NAME | MATERIAL | Q'TY | FINISHING |
|-----|---------------|-----------------|------|--------------|
| 1 | FRAME | PA+G | 1 | |
| 2 | COVER | SUS | 1 | |
| 3 | ROTOR | LCP+G | 1 | |
| 4 | TERMINAL | BRASS | 6 | Au/Sn PLATED |
| 5 | CONTACT PLATE | BeCu | 1 | Au PLATED |
| 6 | O-RING | SILICONE RUBBER | 1 | |
| 7 | SPACER | SUS | 1 | |

| | | | |
|-----|-------------|------------|----------|
| △ | | | |
| △ | | | |
| △ | | | |
| △ | | | |
| △ | 增加端子厚度公差 | 2020.03.30 | Austin |
| SYM | DISCRIPTION | DATE | APPROVED |



HORUSTECH ELECTRONICS CO., LTD.

| | | | | |
|---|--------------|--------|------|---------------|
| TOLERANCES UNLESS OTHERWISE SPECIFIED LINEAR: ±0.30 ANGULAR: ±3' | SIGNATURES | | DATE | TITLE |
| | DRAWN | | | ROTARY SWITCH |
| | CHK'D | | | NO. |
| REVISIONS A1 | SCALE 5/1 | APPV'D | | RSH-2_RM |