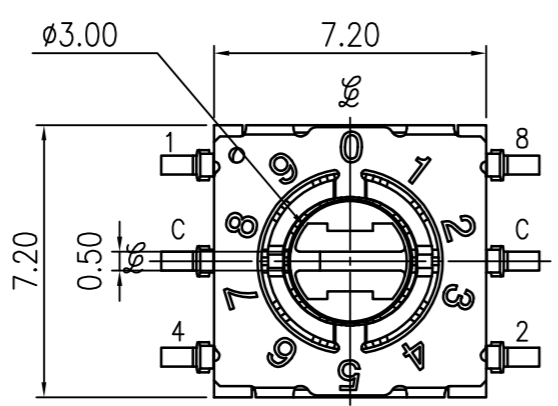
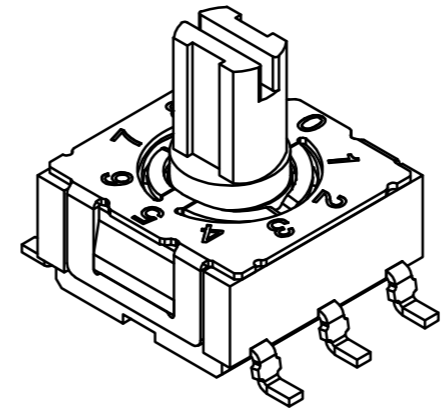


16 POSITIONS
RSH-8pFRM



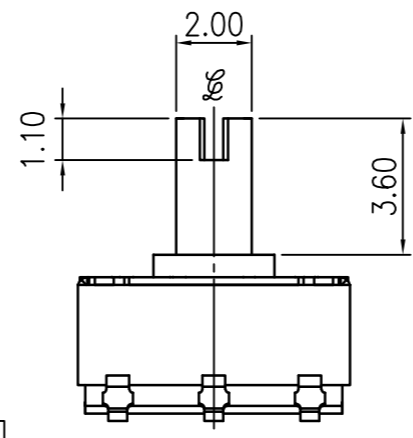
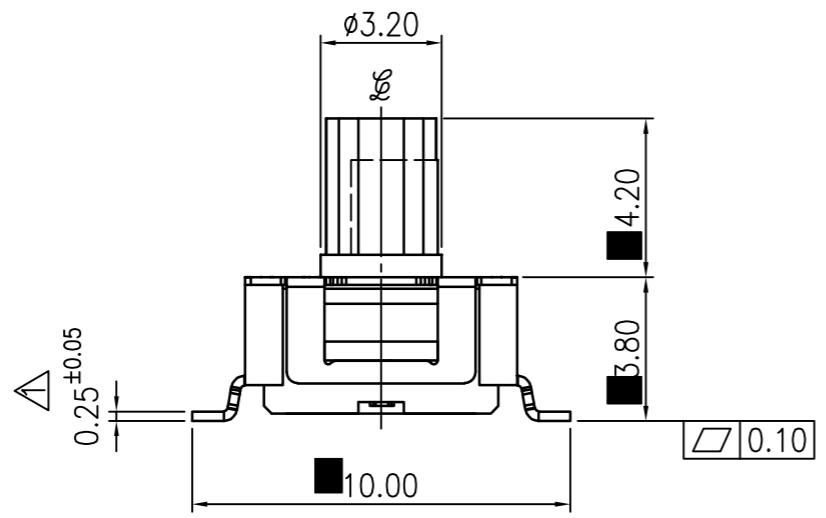
10 POSITIONS
RSH-8pARM



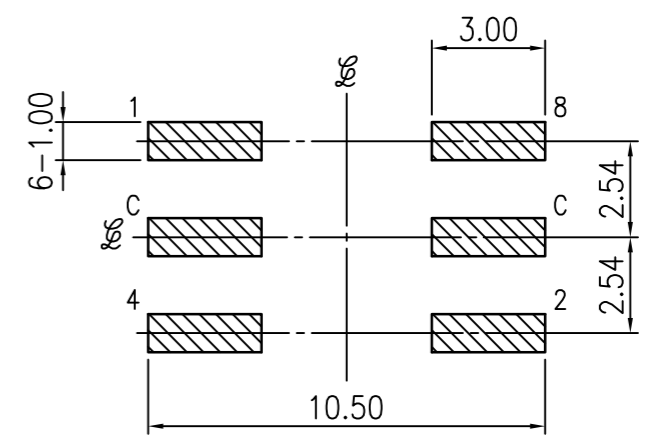
- SPECIFICATIONS:
1. MAXIMUM RATING: 50VDC, 100mA.
 2. MINIMUM RATING: 20mVDC, 1μA.
 3. CONTACT RESISTANCE: 100mΩ MAX.
 4. INSULATION RESISTANCE: 100VDC-1000MΩ MIN.
 5. WITHSTAND VOLTAGE: 250VAC-1 MINUTE
 6. ROTARY TORQUE: 40~200gf.cm
 7. TOTAL ROTARY ANGLE: 360° (10 or 16 STEPS)
 8. LIFE CYCLE: 10,000 STEPS

■ CIRCUIT CHART

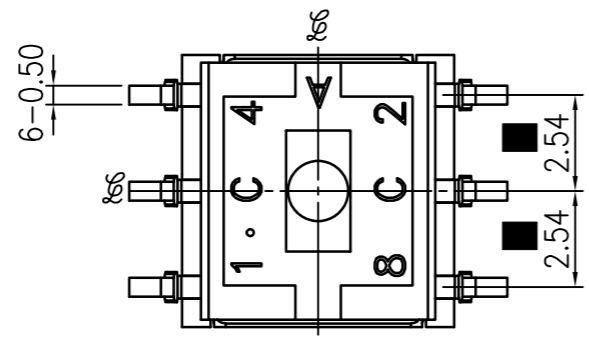
		CODE				
		C	1	2	4	8
10 POSITIONS	0	●				
	1	●	●			
	2	●		●		
	3	●	●	●		
	4	●			●	
	5	●	●			●
	6	●		●	●	
	7	●	●	●	●	
	8	●				●
	9	●	●			●
16 POSITIONS	A	●		●		●
	B	●	●	●		●
	C	●			●	
	D	●	●		●	●
	E	●		●	●	
	F	●	●	●	●	●



P.C.B. LAYOUT



HATCHED AREA SHOW SOLDERING LAND



NO.	PART NAME	MATERIAL	Q'TY	FINISHING
1	FRAME	PA+G	1	
2	COVER	SUS	1	
3	ROTOR	LCP+G	1	PURPLE COLOR
4	TERMINAL	BRASS	6	Au/Sn PLATED
5	CONTACT PLATE	BeCu	1	Au PLATED
6	O-RING	SILICONE RUBBER	1	
7	SPACER	SUS	1	

△			
△			
△			
△			
△	增加端子厚度公差	2020.03.30	Austin
SYM	DISCRIPTION	DATE	APPROVED

HORUSTECH ELECTRONICS CO., LTD.

TOLERANCES UNLESS OTHERWISE SPECIFIED LINEAR: ±0.30 ANGULAR: ±3'		SIGNATURES	DATE	TITLE
REVISIONS A1	SCALE 5/1	DRAWN		ROTARY SWITCH
		CHK'D		NO.
		APPV'D		RSH-8p_RM