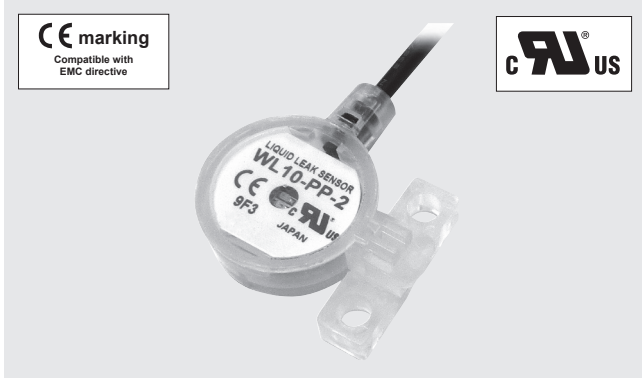


LIQUID LEAK SENSORS

WL10



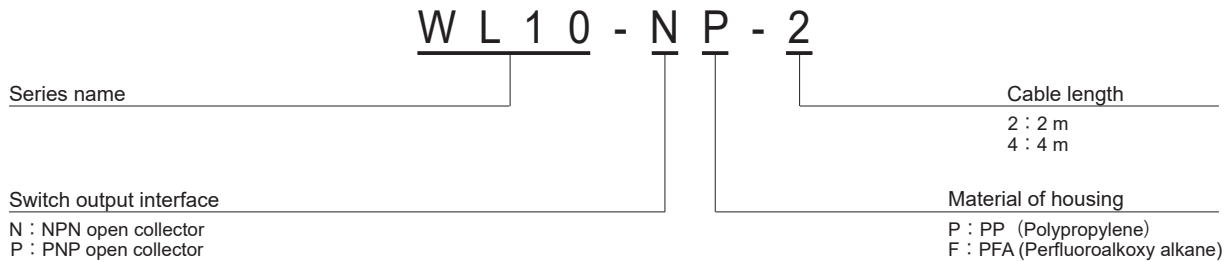
FEATURES

- Operable in various area thanks to unique optical technology
- Can detect leakage without a douser and additional amplifying circuit
- PFA casing available for detecting leakage of corrosive liquid
- Compact and Slim size (ϕ 25 mm, t = 10 mm)
- Lead-free Soldering, UL standard, CE Marking

INTERNAL STRUCTURE (PP type)

| Part name | Material |
|---------------------|----------------|
| ① Housing | PP |
| ② Cover | |
| ③ Mounting plate | |
| ④ Sealing cap | |
| ⑤ P.C. board | Glass-Epoxy |
| ⑥ Label | Polyester film |
| ⑦ Photo-interrupter | — |
| ⑧ Cable | PVC |

MODEL NUMBER DESIGNATION



LIST OF MODEL NUMBERS

| | | Model number | | | |
|-------------------------|-----|--------------|-----------|-----------|-----------|
| | | NPN | | PNP | |
| Switch output interface | | | | | |
| Material of housing | | PP | PFA | PP | PFA |
| Cable length | 2 m | WL10-NP-2 | WL10-NF-2 | WL10-PP-2 | WL10-PF-2 |
| | 4 m | WL10-NP-4 | WL10-NF-4 | WL10-PP-4 | WL10-PF-4 |

※Verify the above model numbers when placing orders.

WL10

LIQUID LEAK SENSORS

STANDARD SPECIFICATIONS

● Unless otherwise specified, the specs are defined at an ambient temperature of 25 ± 5 °C and excitation voltage of 24 VDC.

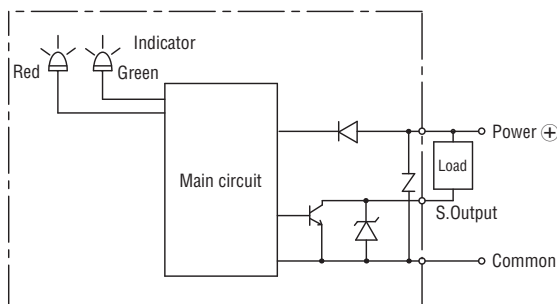
| Item | Model number | WL10 | |
|------------------------|-----------------------|--|--|
| | | NPN | PNP |
| General specifications | Operating temp. range | °C - 10 ~ 60 | |
| | Operating humidity | %RH 35 ~ 85(No condensation) | |
| | Storage temp. | °C - 20 ~ 70(Atmospheric pressure, humidity 65 %RH maximum) | |
| | Pressure medium | Water (PP) / Corrosive fluids compatible with PFA | |
| | Material of housing | PP/PFA | |
| | Net weight | g | Approx. 30 (WL10- * P-2) |
| Power | Supply voltage | VDC 12 ~ 24 \pm 10 % | |
| | Consumption current | mA maximum 10 (Except open collector output) | |
| Output | Switching capacity | Voltage endurance : 30 VDC Sink current : 50 mA maximum (Over current protection) | Voltage endurance : 24 VDC Sourced current : 50 mA maximum (Over current protection) |
| | Residual voltage | V maximum 1.0 V maximum | 2.0 V maximum |
| | Operation grade | Normal condition : Switch output is ON / Green LED is ON Leakage detection : Switch output is OFF / Red LED is ON | |

ENVIRONMENTAL CHARACTERISTICS

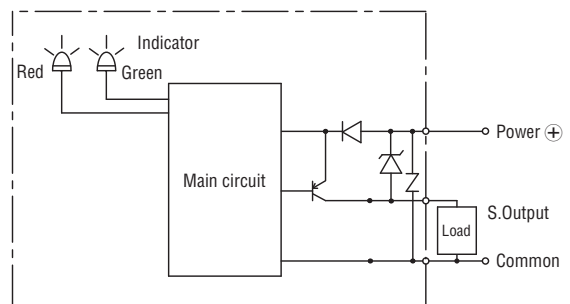
| Test item | Test conditions | Specification |
|------------------|--|-------------------------------|
| Vibration | 10 ~ 500 Hz, 1.5 mm maximum / 98.1 m/s ² , 3 directions for 2 hours each | Meets standard specifications |
| Shock | 490 m/s ² , 3 directions for 3 times each | |
| Protection grade | IP67 | |

INTERNAL ELECTRICAL SCHEMATICS

● NPN



● PNP



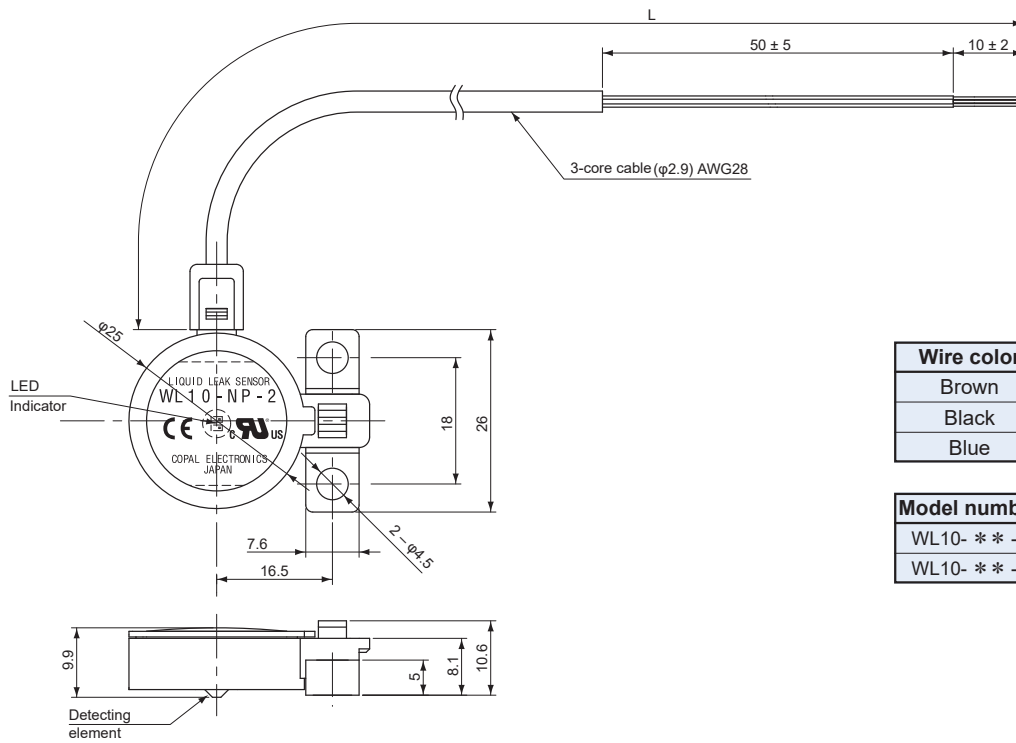
WL10

LIQUID LEAK SENSORS

OUTLINE DIMENSION

Unless otherwise specified, tolerance: ± 0.5 (Unit: mm)

Material of housing - PP



| Wire color | Connection |
|------------|------------|
| Brown | Power ⊕ |
| Black | Output |
| Blue | Common |

| Model number | Cable length |
|--------------|---------------|
| WL10-**-2 | 2000 ± 100 mm |
| WL10-**-4 | 4000 ± 200 mm |

Material of housing - PFA

